

IP8331

Network Bullet Camera

H.264 • Weather-proof • Day & Night



VIVOTEK IP8331 is a cost-effective, bullet-style network camera designed for our customers' needs in outdoor applications. With its weather-proof IP66-rated housing, the camera is shielded from harsh conditions such as rain and dust and provides an all-in-one solution without the need for additional accessories.

By integrating components for day/night functionality such as dual-band lens and built-in IR illuminators with an effective range of up to 10 meters, the camera is able to achieve superior performance in a compact design.

The IP8331 also supports tamper detection, which can detect events such as blockage, redirection, and spray-painting, making it an intelligent solution to possible camera obstruction.

Incorporating a number of VIVOTEK's advanced features, including simultaneous dual streams, triple-codec, 802.3af compliant PoE, and our free standard 32-channel recording software, the IP8331 is the ideal solution for your outdoor surveillance needs.

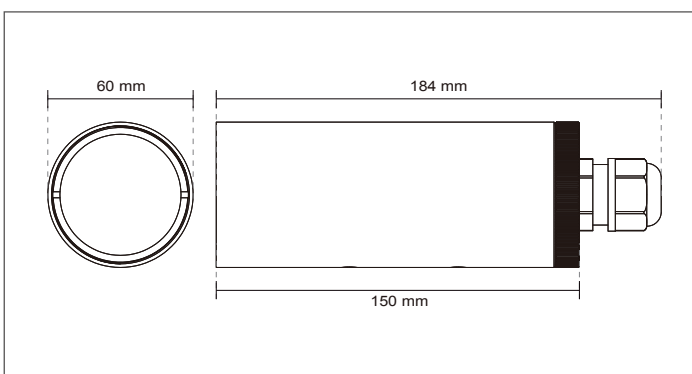
Features

- > 1/4" CMOS Sensor in VGA Resolution
- > Dual-band Lens for Day and Night Function
- > Built-in IR Illuminators, Effective up to 10 Meters
- > Real-time H.264, MPEG-4 and MJPEG Compression (Triple Codec)
- > Simultaneous Dual Streams
- > Weather-proof IP66-rated Housing
- > Built-in 802.3af Compliant PoE

Lens	<ul style="list-style-type: none"> · Board lens, dual-band, f = 4.0 mm, F1.8, Fixed · IR corrected
Field of View	<ul style="list-style-type: none"> · 71° (horizontal) · 52° (vertical) · 90° (diagonal)
Shutter Time	<ul style="list-style-type: none"> · 1/5 sec. to 1/15,000 sec.
Image Sensor	<ul style="list-style-type: none"> · 1/4" CMOS sensor in VGA resolution
Minimum Illumination	<ul style="list-style-type: none"> · 0.001 Lux @ F1.8 (Color)
IR Illuminators	<ul style="list-style-type: none"> · Built-in IR illuminators, effective up to 10 meters · IR LED*12
Video	<ul style="list-style-type: none"> · Compression: H.264, MJPEG & MPEG-4 · Streaming: <ul style="list-style-type: none"> · Simultaneous dual streams · H.264 streaming over UDP, TCP, HTTP or HTTPS · MPEG-4 streaming over UDP, TCP, HTTP or HTTPS · H.264/MPEG-4 multicast streaming · MJPEG streaming over HTTP or HTTPS · Supports 3GPP mobile surveillance · Frame rates: <ul style="list-style-type: none"> · H.264: <ul style="list-style-type: none"> · Up to 30/25 fps at 640x480 · MPEG-4: <ul style="list-style-type: none"> · Up to 30/25 fps at 640x480 · MJPEG: <ul style="list-style-type: none"> · Up to 30/25 fps at 640x480
Image Settings	<ul style="list-style-type: none"> · Adjustable image size, quality and bit rate · Time stamp and text caption overlay · Flip & mirror · Configurable brightness, contrast, saturation, sharpness and white balance · AGC, AWB, AES · Automatic, manual or scheduled day/night mode · Supports privacy masks
Networking	<ul style="list-style-type: none"> · 10/100 Mbps Ethernet, RJ-45 · Onvif support · Protocols: IPv4, IPv6, TCP/IP, HTTP, HTTPS, UPnP, RTSP/RTP/RTCP, IGMP, SMTP, FTP, DHCP, NTP, DNS, DDNS, PPPoE, CoS, QoS and 802.1X
Alarm and Event Management	<ul style="list-style-type: none"> · Triple-window video motion detection · Tamper detection · One D/I for external sensor · Event notification using HTTP, SMTP or FTP · Local recording of MP4 file
Security	<ul style="list-style-type: none"> · Multi-level user access with password protection · IP address filtering · HTTPS encrypted data transmission · 802.1X port-based authentication for network protection

Users	<ul style="list-style-type: none"> · Live viewing for up to 10 clients
Dimension	<ul style="list-style-type: none"> · Camera: Ø 60 mm x 150 mm · Cable length: 400 mm · Cable diameter: Ø 12 mm; Max width: Ø 18 mm
Weight	<ul style="list-style-type: none"> · Net: 640 g
LED Indicator	<ul style="list-style-type: none"> · System restore status indicator
Power	<ul style="list-style-type: none"> · 12V DC · 24V AC · Power consumption: Max. 4 W · 802.3af compliant Power-over-Ethernet (Class 2)
Housing	<ul style="list-style-type: none"> · Weather-proof IP66-rated housing
Approvals	<ul style="list-style-type: none"> · CE, LVD, FCC, VCCI, C-Tick
Operating Environments	<ul style="list-style-type: none"> · Temperature: -20°C ~ 50°C (-4°F ~ 122°F) · Humidity: 90% RH
Viewing System Requirements	<ul style="list-style-type: none"> · OS: Microsoft Windows 7/Vista/XP/2000 · Browser: <ul style="list-style-type: none"> · Mozilla Firefox, Internet Explorer 6.x or above · Cell phone: 3GPP player · Real Player: 10.5 or above · Quick Time: 6.5 or above
Installation, Management, and Maintenance	<ul style="list-style-type: none"> · Installation Wizard 2 · 32-CH ST7501 recording software · Supports firmware upgrade
Applications	<ul style="list-style-type: none"> · SDK available for application development and system integration
Warranty	<ul style="list-style-type: none"> · 24 months

Dimension



All specifications are subject to change without notice. Copyright © 2011 VIVOTEK INC. All rights reserved. P/N: 971004900

Distributed by:



VIVOTEK INC.

6F, No. 192, Lien-Cheng Rd., Chung-Ho, New Taipei City, 235, Taiwan, R.O.C.
| T: +886-2-82455282 | F: +886-2-82455532 | E: sales@vivotek.com

VIVOTEK USA, INC.

2050 Ringwood Avenue, San Jose, CA 95131
| T: 408-773-8686 | F: 408-773-8298 | E: salesusa@vivotek.com